

Bushings



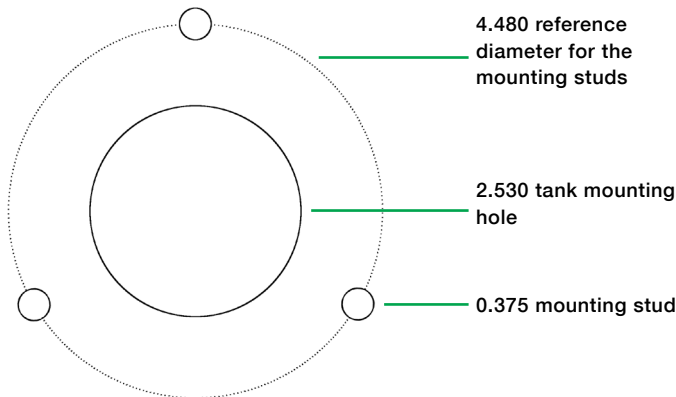
Hitachi ABB Power Grids Distribution Transformer Components offers both high voltage and low voltage bushings designed for use in pad or surface mounted transformers. The bushings insulate the current carrying conductor from the tank, allowing for termination of both the airside conductor and the transformer leads. Both the high and low voltage bushings have been designed to conform with ANSI/IEEE standards.

Hitachi ABB Power Grids Distribution Transformer Components high voltage bushing wells are molded from a glass-reinforced, high temperature nylon (HTN) resin. They are designed to mate with all bushing inserts conforming to the appropriate sections of IEEE 386-2006. In addition to the fixed stud bushing well, ABB offers a removable stud version.

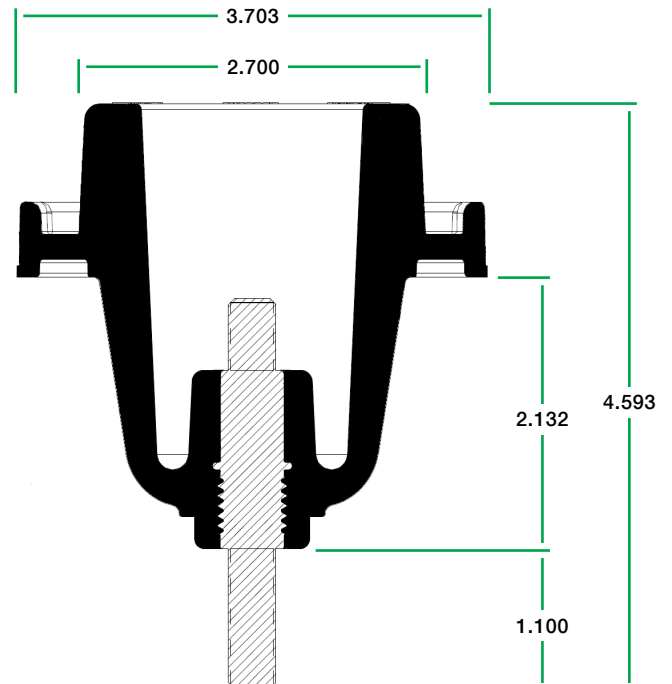
Hitachi ABB Power Grids Distribution Transformer Components one inch and five-eighths inch low voltage bushings are molded from a glass-reinforced, high temperature nylon resin. The 1.25 inch low voltage bushings are molded from a polyester resin. All of the low voltage bushings provide a spade terminal for internal connection and a threaded stud for external connection.

High voltage bushing well options	BIL (kV)	Continuous current (A)	Package quantity	Part number
Integral copper stud	150	200	48	1ZUA276301-AKC
Removable copper stud	150	200	48	1ZUA276301-AKD

HV bushing mounting



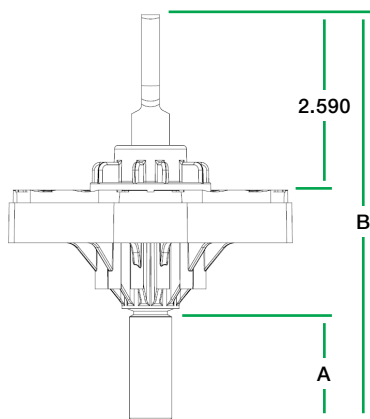
HV bushing well key dimensions



* Dimensions are presented in inches

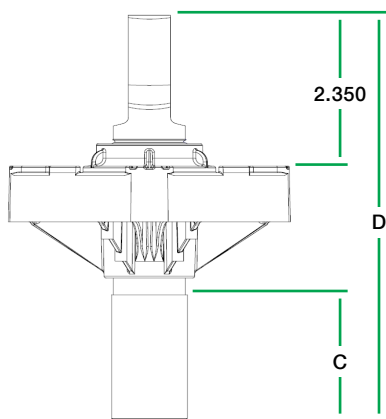
Low voltage bushing options	BIL (kV)	Continuous current (A)	Package quantity	Part number
0.625" copper standard length	30	600	48	1ZUA276301-AFC
0.625" copper extended length	30	600	48	1ZUA276301-AFD
1.000" copper standard length	30	1400	48	1ZUA276301-AGC
1.000" copper extended length	30	1400	48	1ZUA276301-AGD
1.250" copper with 1 hole	30	2083	24	2104C16G04
1.250" copper with 2 holes	30	2083	24	2104C16G07

5/8 inch low voltage bushing key dimensions



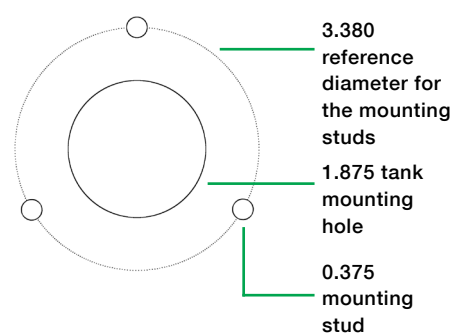
Stud style	Dimension A	Dimension B
Standard	1.500	6.000
Extended	2.110	6.620

1 inch low voltage bushing key dimensions

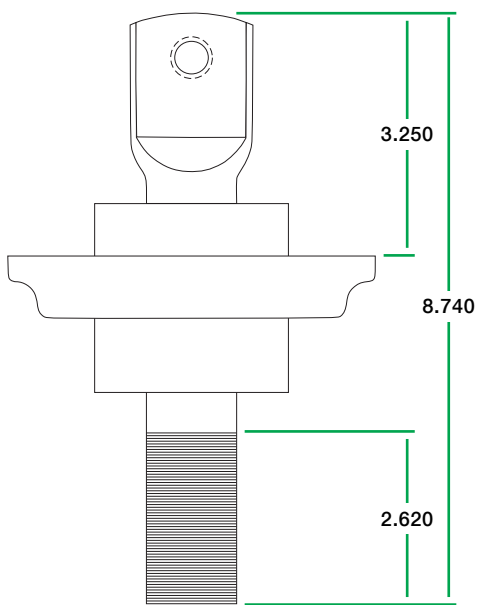


Stud style	Dimension C	Dimension D
Standard	1.750	6.330
Extended	2.520	7.100

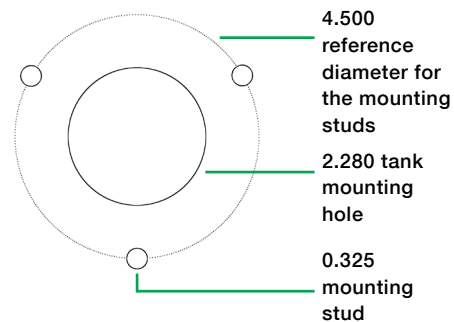
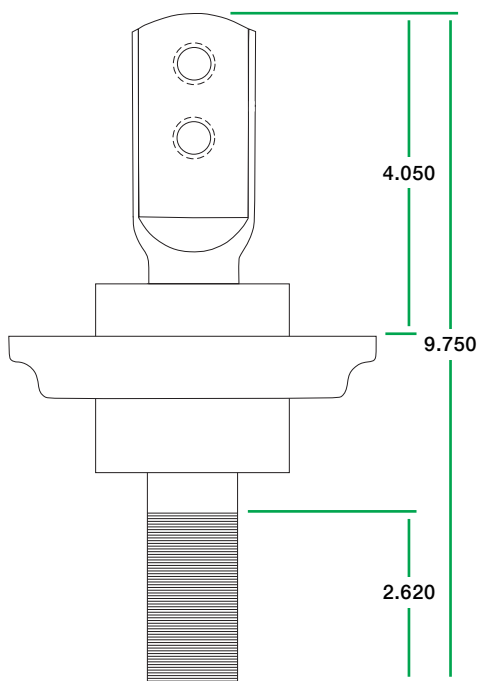
1 and 5/8 inch low voltage bushing mounting



1.25 inch low voltage bushing key dimensions and mounting



1.25 inch low voltage bushing mounting



* Dimensions are presented in inches